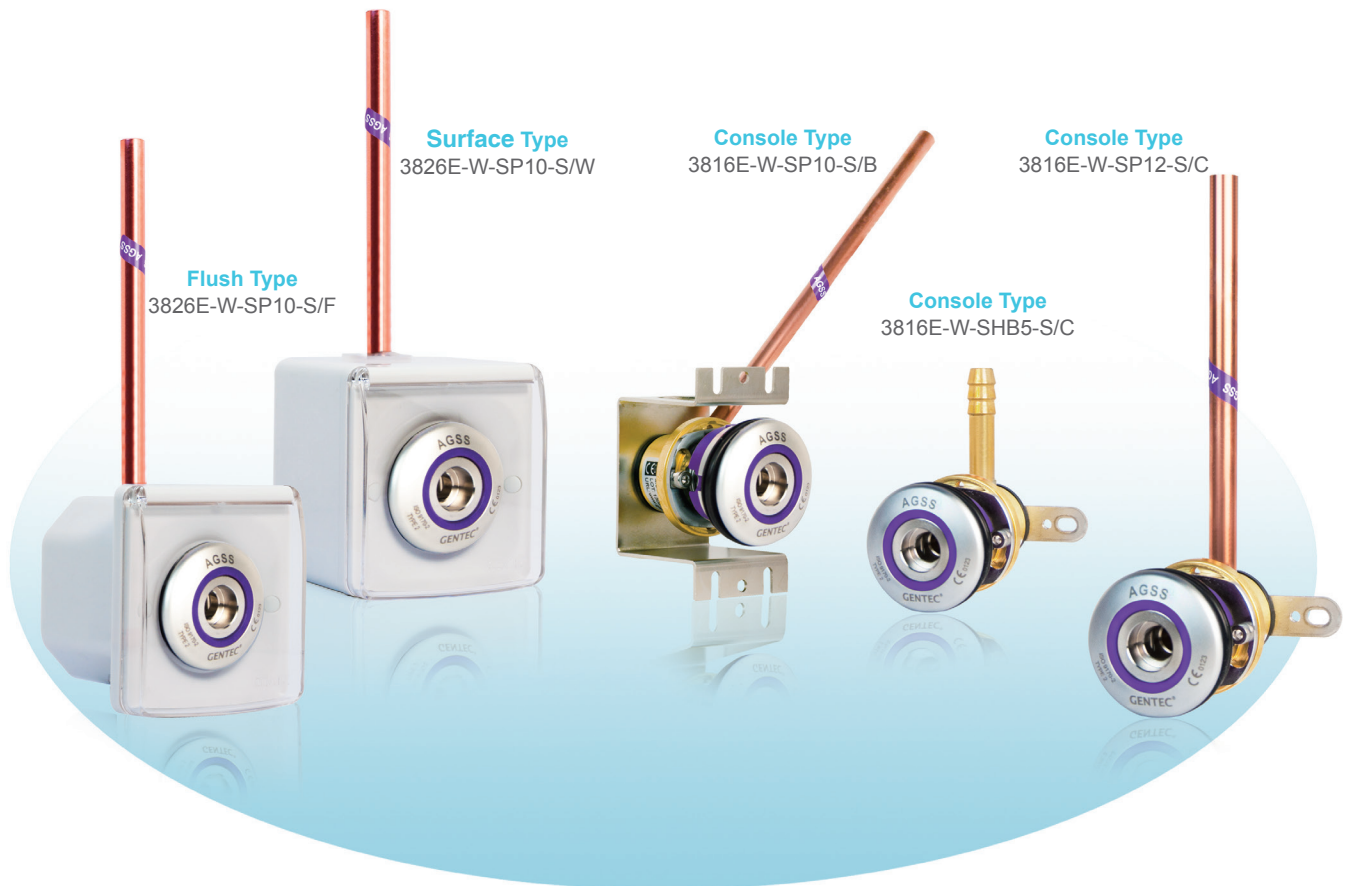


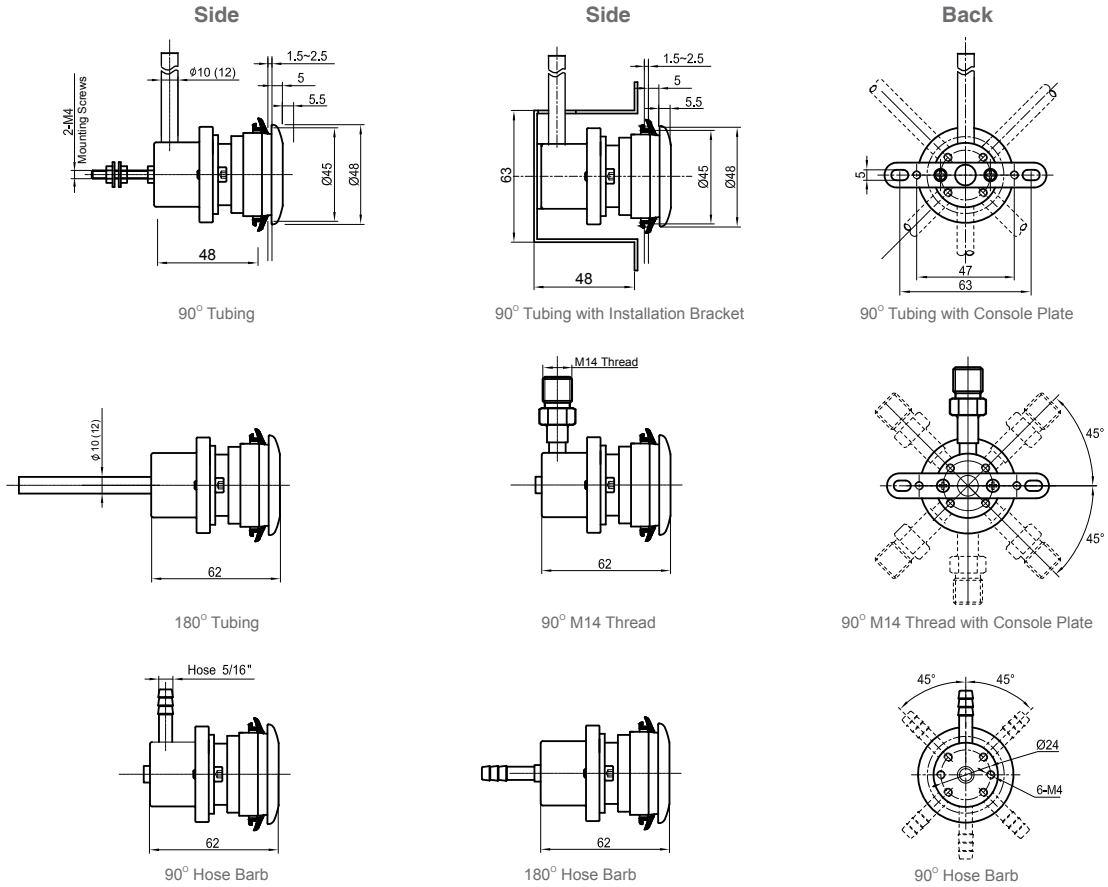
TERMINAL UNITS FOR ANAESTHETIC GAS SCAVENGING SYSTEMS



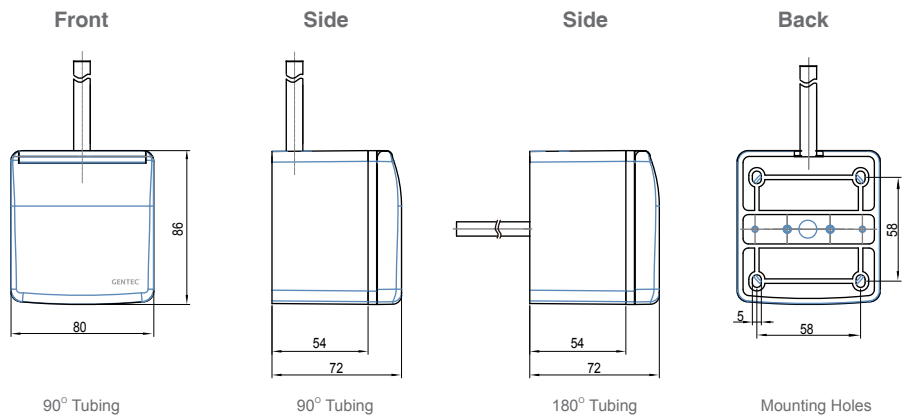
Features

- For use with central anaesthetic gas scavenging systems
- Modular structure, convenient maintenance
- Color-coded for easy gas service identification according to ISO 32
- Complies with ISO 9170-2 TYPE II
- 100% tested and individually packaged
- Manufactured from high quality brass
- Matte dark chrome protects against oxidation and corrosion
- Laser engraved markings
- Base block allows for the inlet pipe to be installed in 6 different directions for ease of installation
- Multiple inlets available:
90° tubing, 180° tubing, 90° hose barb, 180° hose barb, 90° M14 thread, 180° M14 thread
- Durable high quality forged brass body
- The sealing ring can be replaced without interrupting gas service to other outlets

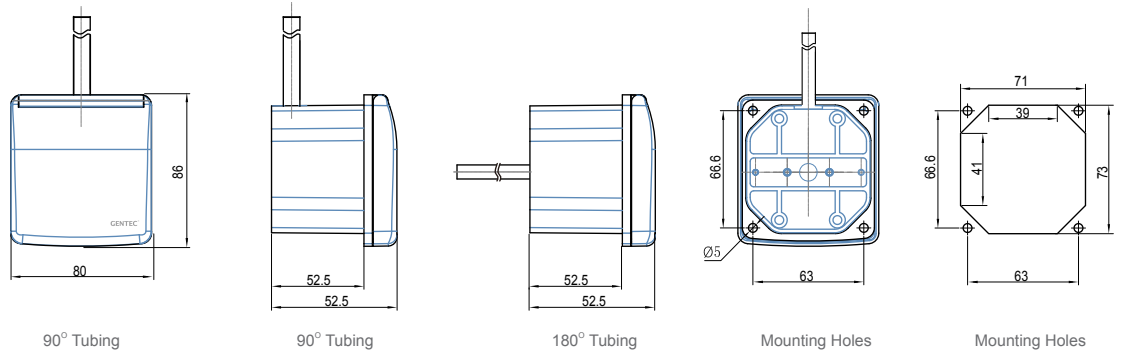
Dimensions (mm)



Surface Mount



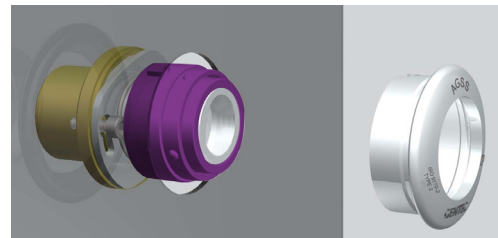
Flush Mount



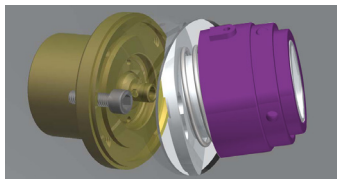
Repair Schematics



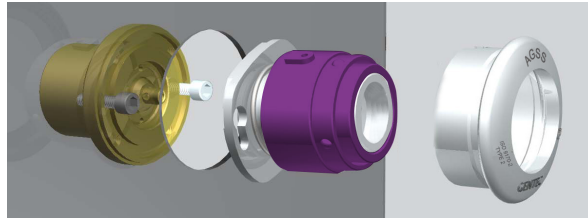
1. Pull the pressure lid off



2. Loosen the two retaining bolts 2-3 mm



3. Pull out the body at an angle



4. Replace the sealing ring without disassembling the panel mount

Ordering Information (Console Type)

3816E	-	W	-	S	P10	-	S	/	C
Series		Gas Service		Inlet Direction	Inlet Connection		Lid Type		Type of Mounting
3816E		W: AGSS		S: 90° R: 180°	P10: 10 mm O.D. Tubing P12: 12 mm O.D. Tubing HB5: 5/16" Hose Barb M14: M14 X 1.5 VCR Thread		S: Round-faced pressure lid		C: With console plate B: With installation bracket

*: Please ask GENTEC or your local distributor for availability.

Type of Mounting	Configuration	Type of Mounting	Configuration
S / C	<p>Round-faced pressure lid, console type with console plate</p>	S / B	<p>Round-faced pressure lid, console type with installation bracket</p>

Ordering Information (Wall Type)

3826E	-	W	-	S	P10	-	S	/	F
Series		Gas Service		Inlet Direction	Inlet Connection		Lid Type		Type of Mounting
3826E		W: AGSS		S: 90° R: 180°	P10: 10 mm O.D. Tubing P12: 12 mm O.D. Tubing HB5: 5/16" Hose Barb M14: M14 X 1.5 VCR Thread		S: Round-faced pressure lid		F: Flush Mount W: Surface Mount

*: Please ask GENTEC or your local distributor for availability.

Type of Mounting	Configuration	Type of Mounting	Configuration
S / F	<p>Round-faced pressure lid, wall type, flush mount with protective cover</p>	S / W	<p>Round-faced pressure lid, wall type, surface mount with protective cover</p>